

RX27 功率瓷壳线绕电阻器

power ceramic encased wire-wound resistors



产品特点 Features

- 耐潮湿
- 耐热性好
- 绝缘性能佳
- 工作温度范围宽
- Moisture-proof
- good heat-resistant
- Perfect insulation
- Wide working temperature range

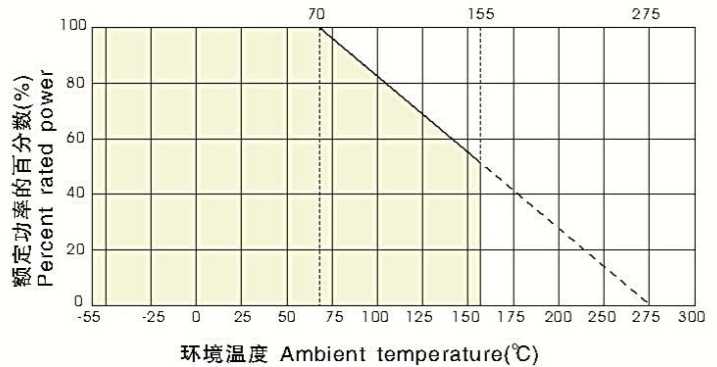
应用范围 Applications

- 适用于电子仪器、设备、彩电、音响、充电器等领域
- Used in electrical instruments equipments
Colour TV, audio, charger etc

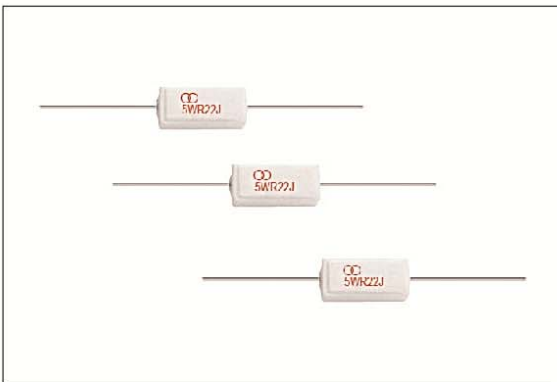
执行标准 Reference Standards

Q/ATK03-2002

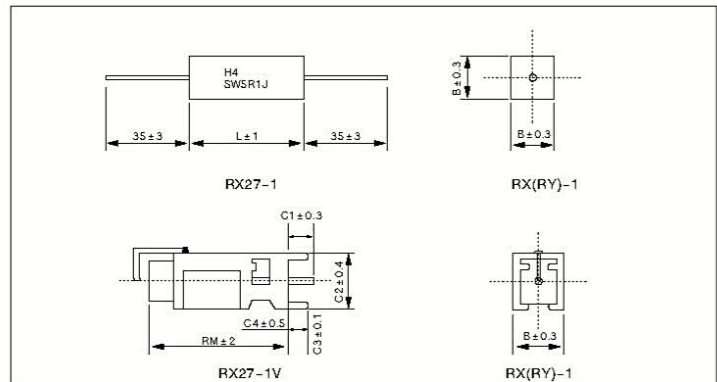
降功耗曲线 Derating Curve



RX27-1/1V



构造图 Construction(mm)



技术说明 Technical Specifications

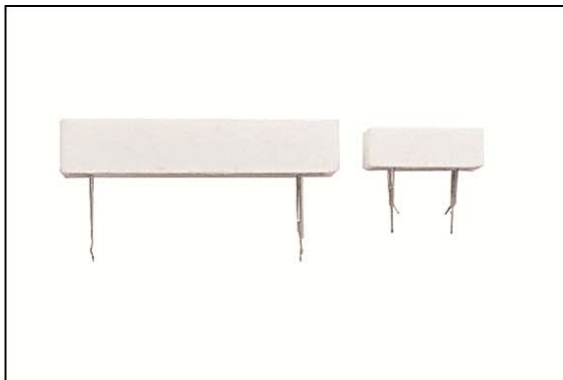
型号 Type	额定功率 Rated Power(W)	阻值范围 Resistance Range		外形尺寸 Dimensions(mm)							
		RX27-1	RY27-1	L	B	RM	C1	C2	C3	C4	
RX(RY)27-1	2.0	R1...390R	390R...100K	17.5	6.5						
RX(RY)27-1	3.0	R1...680R	680R...100K	22.0	8.0						
RX(RY)27-1	5.0	R1...680R	680R...100K	22.0	9.5						
RX(RY)27-1/1V	7.0	R22...1K5	1K0...100K	35.0	9.5	47.0	5.0	11	1.5	4.0	
RX(RY)27-1/1V	10.0	R33...2K4	1K0...100K	48.0	9.5	60.0	5.0	11	1.5	4.0	
RX(RY)27-1/1V	15.0	5R1...9K1	1K0...100K	48.0	12.5	61.0	6.5	14	2.5	4.5	
RX(RY)27-1/1V	20.0	5R1...12K	1K0...100K	63.5	12.5	77.0	6.5	14	2.5	4.5	

RX27 功率瓷壳线绕电阻器

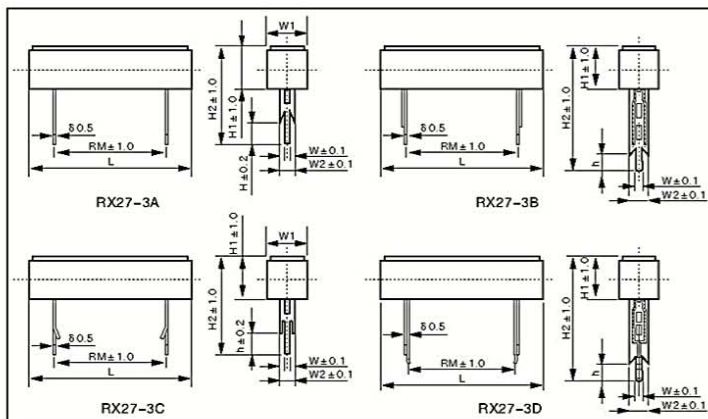
power ceramic encased wire-wound resistors



RX27-3A/B/C/D



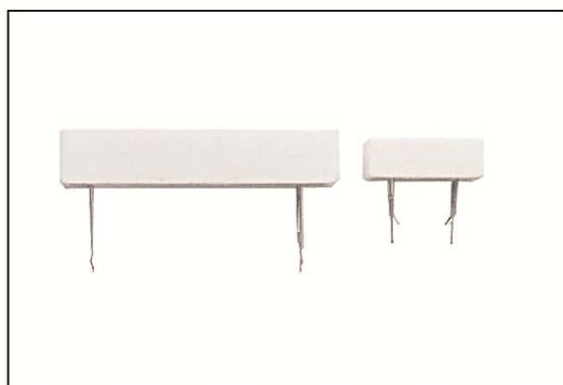
■ 构造图 Construction(mm)



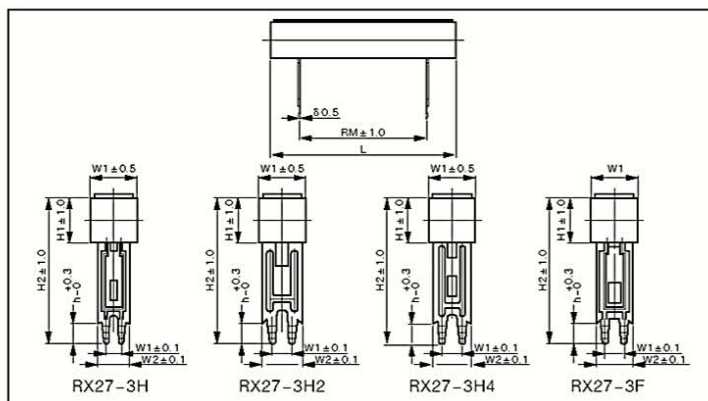
■ 技术说明 Technical Specifications

型号 Type	额定功率 Rated Power(W)	阻值范围 Resistance Range		外形尺寸 Dimensions(mm)							
		RX27-1	RY27-1	L	RM	H1	H2	h	W1	W2	W
RX(RY27) -3A/3B/3C/3D/3D5	3.0	R2...2K4	390R...100K	25.0±0.5	12.5	9.0	23.5/39.0/23.5 39.5/30.0	4.5±0.3	9.0±0.5	5/7.3	1.5
RX(RY27) -3A/3B/3C/3D/3D5/3D6	5.0	R22...3K6	680R...100K	27.0±0.5	15.0	9.5	24.0/39.0/24.0 39.0/30.0/39.0	4.5±0.3	9.5±0.5	5/7.3	1.5
RX(RY27) -3A/3B/3C/3D/3D5/3D6	7.0	R39...4K7	680R...100K	35.0±0.8	22.5	9.5	24.0/39.0/24.0 39.0/30.0/39.0	4.5±0.3	9.5±0.5	5/7.3	1.5
RX(RY27) -3A/3B/3C/3D/3D5/3D6	10.0	R39...6K8	1K0...100K	48.0±1.0	35.0	9.5	24.0/39.0/24.0 39.0/30.0/39.0	4.5±0.3	9.5±0.5	5/7.3	1.5
RX(RY27) -3A/3B/3C	15.0	R51...7K5	—	48.0±1.0	32.0	12.5	32.5/47.5/32.5	5.0±0.2	12.5±0.5	5/-	2.7
RX(RY27) -3A/3B/3C	20.0	R51...10K	—	63.5±1.2	47.5	12.5	32.5/47.5/32.5	5.0±0.2	12.5±0.5	5/-	2.7

RX27-3F/3H



■ 构造图 Construction(mm)



■ 技术说明 Technical Specifications

型号 Type	额定功率 Rated Power(W)	阻值范围 Resistance Range		外形尺寸 Dimensions(mm)							
		RX27	RY27	L	RM	H1	H2	h	W1	W2	W
RX27(RY27) -3F/3H/3H2	3.0	R2...2K4	390R...100K	25.0±0.5	12.5	9.0	39.0/39.0/26.5	5.0/4.5	9.0±0.5	7.3	5.0/3.5
RX27(RY27) -3F/3H/3H2/3H4	5.0	R39...3K6	680R...100K	27.0±0.5	15.0	9.5	39.0/39.0/26.5/39.0	5.0/4.5	9.0±0.5	7.3	5.0/3.5
RX27(RY27) -3F/3H/3H2/3H4	7.0	R39...4K7	680R...100K	35.0±0.8	22.5	9.5	39.0/39.0/26.5/39.0	5.0/4.5	9.0±0.5	7.3	5.0/3.5
RX27(RY27) -3F/3H/3H2/3H4	10.0	R39...6K8	1K0R...100K	48.0±1.0	35.0	9.5	39.0/39.0/26.5/39.0	5.0/4.5	9.0±0.5	7.3	5.0/3.5
RX27(RY27) -3F	15.0	R51...7K5	—	48.0±1.0	32.0	12.5	47.5	5.0	12.5±0.5	10.0	5.0
RX27(RY27) -3F	20.0	R51...10K	—	63.5±1.2	47.0	12.5	47.5	5.0	12.5±0.5	10.0	5.0

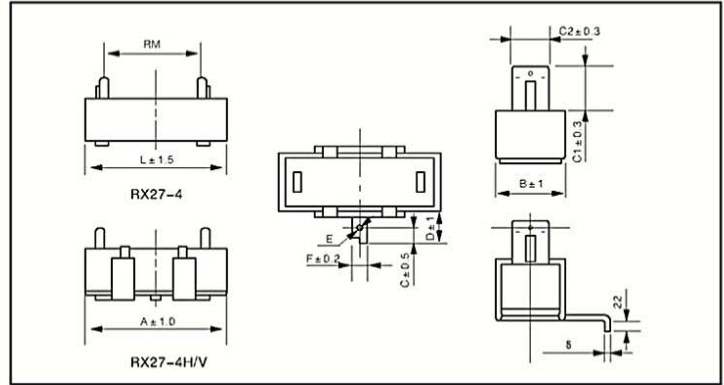
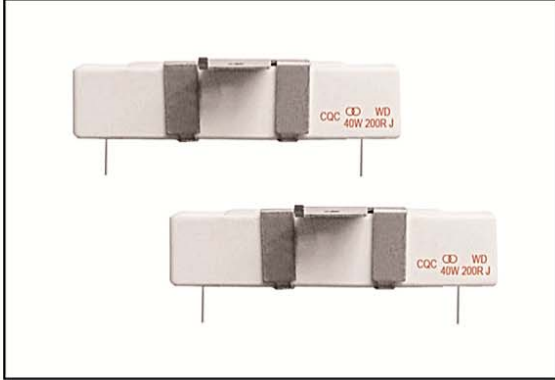
RX27 功率瓷壳线绕电阻器

power ceramic encased wire-wound resistors



RX27-4/V

■ 构造图 Construction(mm)

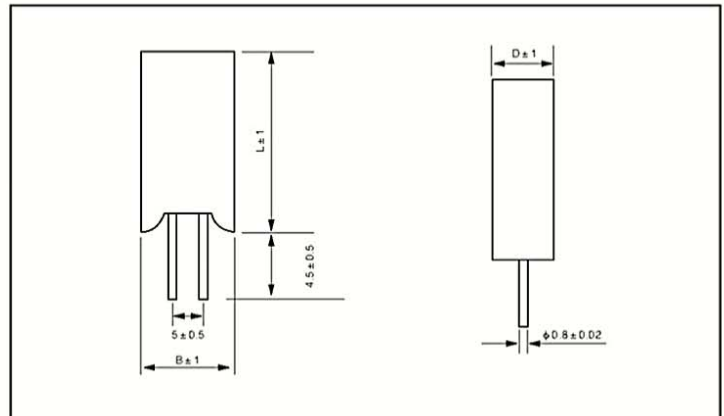
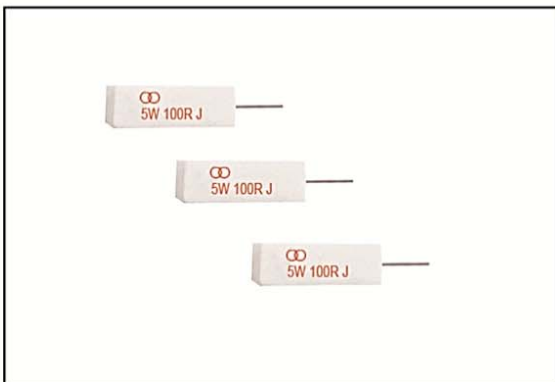


■ 技术说明 Technical Specifications

型号 Type	额定功率 Rated Power(W)	阻值范围 Resistance Range		外形尺寸 Dimensions(mm)										
		最小值Min	最大值Max	L	RM	C1	C2	A	B	C	D	E	F	δ
RX27-4/V	10.0	R39	1K5	48.0	35.5 _{±0.15}	9	5	25	9.5	6.5	11.8	4.0	12	0.6
RX27-4/V	15.0	R51	2K4	48.0	34.0 _{±0.15}	9	6/4.8	25	12.5	6.5	12.5	4.0	12	0.6
RX27-4/V	20.0	R51	2K4	63.5	48.0 _{±0.20}	9	6/4.8	25	12.5	6.5	12.5	4.0	12	0.6
RX27-4/V	25.0	R62	2K4	63.5	46.5 _{±0.20}	12	7.5/6.3	25	16	6.5	13.8	4.2	12	0.8
RX27-4/V	30.0	R62	8K2	75.0	56.0 _{±0.25}	12	7.5/6.3	40	19	8	18	4.2	18	0.8
RX27-4/V	40.0	R62	10K	90.0	71.0 _{±0.30}	12	7.5/6.3	40	19	8	18	4.2	18	0.8

RX27-5

■ 构造图 Construction(mm)



■ 技术说明 Technical Specifications

型号 Type	额定功率 Rated Power(W)	阻值范围 Resistance Range		外形尺寸 Dimensions(mm)		
		最小值Min	最大值Max	L	B	D
RX27(RY27)-5	2.0	R50...1K0	390...100K	20.5	11	7
RX27(RY27)-5	3.0	R50...2K2	680...100K	25.0	12	8
RX27(RY27)-5	5.0	R50...2K2	680...100K	26.0	13	9
RX27(RY27)-5	7.0	1R0...6K2	1K...100K	39.0	13	9.5
RX27(RY27)-5	10.0	1R5...10K	1K...100K	51.0	13	9.5

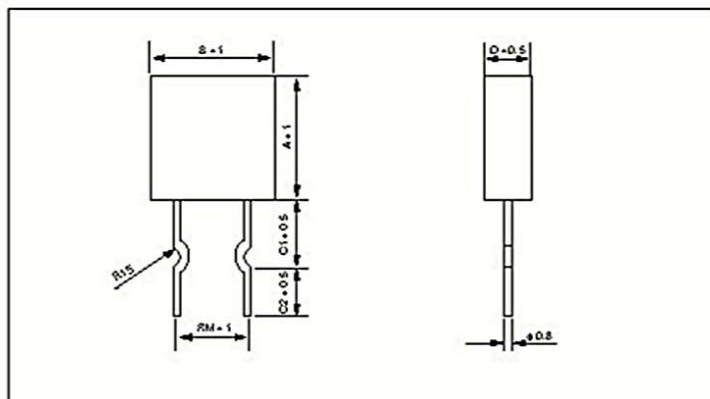
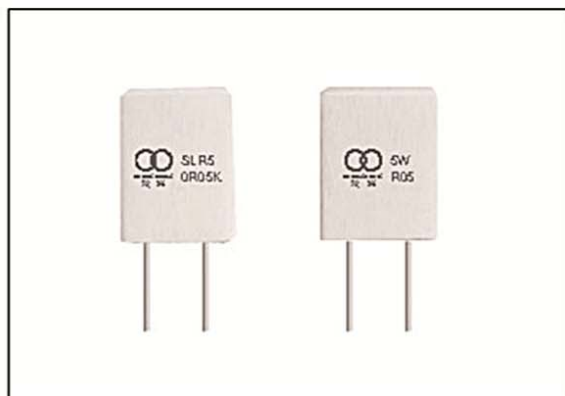
RX27 功率瓷壳线绕电阻器

power ceramic encased wire-wound resistors



RX27-6

■ 构造图 Construction(mm)



■ 技术说明 Technical Specifications

型号 Type	额定功率 Rated Power(W)	阻值范围 Resistance Range		外形尺寸 Dimensions(mm)					
		最小值 Min	最大值 Max	A±1	B±1	C1±0.5	C2±0.5	D±0.5	Rm±1
RX27-6	2W	R10	910R	12	18	8	5	5	7
RX27-6	3W	R10	910R	13	18	8	5	6	8
RX27-6	5W	R10	1K0	15	18	8	5	6	9

■ 性能指标 Performance

试验项目 Test Item	性能要求 Specifications	试验方法 Test Methods
可焊性	焊料润湿引出端并能自由流动, 引出端上锡面积大于95%	235°C ± 5°C, 2s ± 0.5s
短期过负荷	$\Delta R \leq \pm (1\%R \pm 0.05\Omega)$	$\sqrt{I \cdot O R P}$ 5s
引出端强度	外观无可见损伤 $\Delta R \leq \pm (1\%R \pm 0.05\Omega)$	拉力: 10N, 弯曲: 2次, 扭转: 180度2次
耐焊接热	外观无可见损伤 $\Delta R \leq \pm (1\%R \pm 0.05\Omega)$	260°C ± 5°C 10s ± 0.5s
温度系数	± 500ppm/°C	GB/T 5729-2003 第4.8条
降功耗	当环境温度由70°C升至275°C时, 电阻器允许负荷由额定功率的100%降至0%	
长期寿命	$\Delta R \leq \pm (5\%R \pm 0.1\Omega)$ 绝缘电阻 ≥ 1GΩ	1000h, 1.5h通电, 0.5h断电
表面温升	≤ 210°C	施加额定电压, 达到热稳定

■ 订货示例 How To Order

例如 Example

RX27	1	2W	10Ω	±5%	±250ppm	盒装
产品型号 Type	类型 Style	功率 Power	标称阻值 Nominal Value	精度 Tolerance	温度系数 TCR	包装方式 Packaging
RX27	1 3 4 5 6	2W ~ 40W	10Ω	±5%	±250ppm	盒装 box