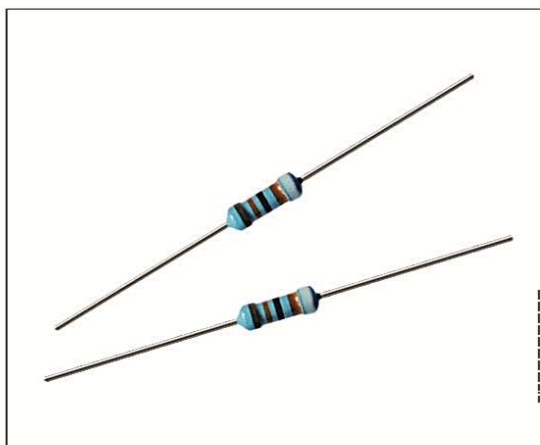
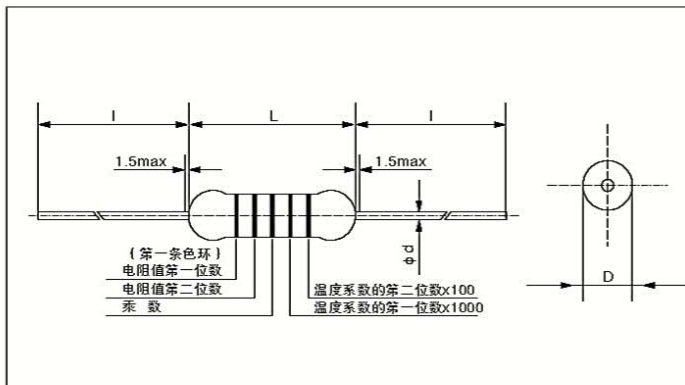


MZ60 金属膜热敏电阻器

metal film thermistors



■ 构造图 Construction(mm)



■ 产品特点 Features

- 正温度系数，阻值呈线性温度变化
- 较快的热响应时间
- 蓝色包封，色环标志，可编带成型
- Linearly positive TCR
- Rapid thermal response speed
- Blue coating, color code marking, blistertape and lead forming available

■ 应用范围 Applications

- 适用于各种电子电路中的温度补偿热保护
- Suitable for the temperature compensation thermal protection

■ 执行标准 Reference Standards

Q/ATK01-1992

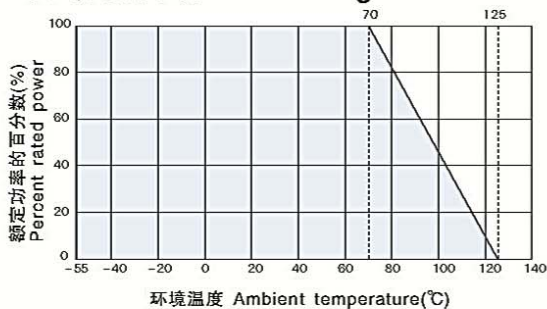
■ 技术说明 Technical Specifications

型号 Type	额定功率 Rated Power	最高工作电压 Max Working Voltage	绝缘电压 Insulate voltage	电阻温度系数 TCR(ppm/°C)	精度 Tolerances	阻值范围 Resistance Range	额定功率 环境温度 Rating. AMB.temp	使用温度范围 Operating. Temp.range
MZ60-1/6	1/6W	150V	250V	1000~2400	± 2% ± 5%	4.7Ω~1KΩ	70°C	-55°C~125°C
MZ60-1/4	1/4W	250V	350V	500~3900	± 10%	1Ω~2KΩ		

■ 外形尺寸 Dimensions(mm)

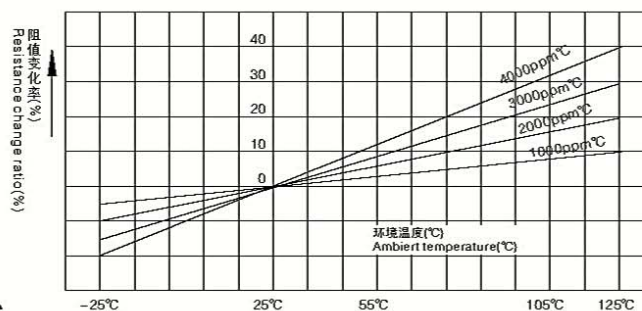
型号 Type	Lmax	Dmax	d±0.05	L±3
MZ60-1/6W	3.8	2.1	0.5	28.0
MZ60-1/4W	7.0	2.5	0.6	28.0

■ 降功耗曲线 Derating Curve



■ 电阻-温度曲线

Resistance Change VS Temperature



MZ60 金属膜热敏电阻器

metal film thermistors

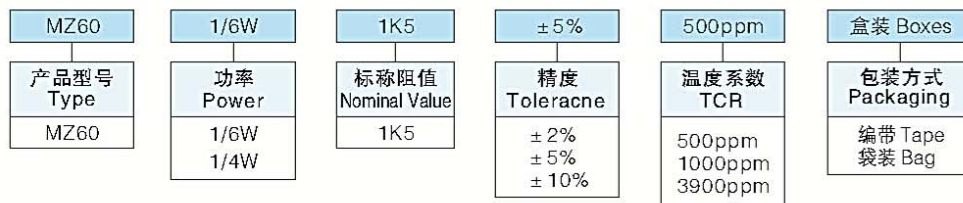


性能指标 Performance

试验项目 Test Item	性能要求 Specifications	试验方法 Test Method
		GB/T7153-2002
温度快速变化 Rapid change of temperature	$\Delta R \leq \pm(1\%R+0.05\Omega)$	-55°C/125°C, 5cycles
耐焊接热 Leaching	$\Delta R \leq \pm(1\%R+0.05\Omega)$	350±10°C, 3.5±0.5S
气候顺序 Climatic category	$\Delta R \leq \pm(3\%R+0.1\Omega)$	275°C, 16h/55°C, RH93±3%, 24h/ -55°C, 2h/8.5kpa, 15~35°C, 1h
室温耐久性 Endurance at 70°C	$\Delta R \leq \pm(3\%R+0.1\Omega)$	70°C, P _R , 1000h

订货示例 How To Order

例如 Example



精密金属膜电阻器有那些特点 Properties of precised metalfilm resistors

精密金属膜电阻器采用进口高铝瓷（AL₂O₃含量96%以上）作为基体，瓷体具有良好的绝缘性能、介电常数及机械强度，通过真空镀膜的工艺，获得品质优良的合金膜层。电阻器采用进口的符合军用标准的引线帽，采用特殊的帽盖结构，使得电阻器膜层与帽盖具有良好的接触，电阻器毛坯端头采用特殊的工艺处理，改善低阻温度系数。军品电阻器采用环氧模塑料封装，产品具有良好的耐压性能和耐潮湿性能，满足美军标MIL和中国军标GLB要求，产品具有高精度、高稳定、低温度系数、高可靠的特点。

Our precised metalfilm resistors use highgrade ceramics body (Al₂O₃ content≥96%) as substrate for its high quality in insulation,dielectric coefficient,and mechanical strength,excellent alloy is gained through vacuum metallizing process.leads&caps imported are conform to MIL standard,its special design make resistance element body and caps connected with each other inseparably.

Better TCR is available through special treatment on the top of element body for low resistance.

Resistors for military applitary application meet the requirements of MIL standard(USA)and GJB(CHINA) with high stability as well as perfect TCR and precision .

Its resin-coating&mould package make products be in good properties regarding high voltage-resistance and moisture-proof.