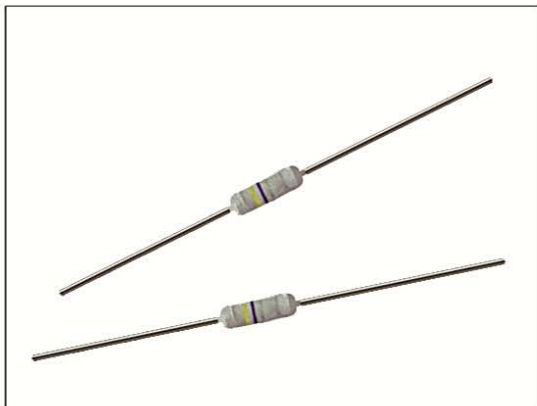
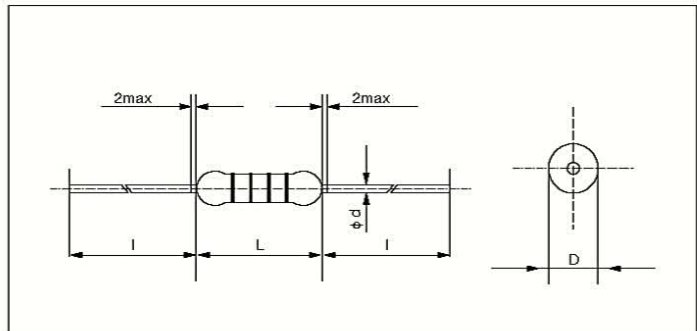


RXF21A/B/C(FRT) 线绕熔断电阻器

wire-wound fuse resistors



■ 构造图 Construction(mm)



■ 产品特点 Features

- 抗电涌性能好
- 短路时电阻瞬间熔断
- 通过UL, CUL, VDE, CQC认证
- 阻燃型灰色包封涂料, 色环标志, 可编带成型
- Perfect surge-proof
- Resistance fusing instantaneously when short-circuit
- UL, CUL, VDE, CQC approved
- Grey flame-retardant coating, color marking, provide blistertape and lead forming(optional)

■ 应用范围 Applications

- 节能灯专用(RXF21A/C)
- 充电器专用(RXF21B)
- Special for energy saving lamp
- Special for chargers

■ 执行标准 Reference Standards

Q/ATK 034-2001

■ 性能指标 Performance(RXF21-A/B)

试验项目 Test Item	性能要求 Specifications	试验方法 Test Method
短时间过载 Short time overload	$\Delta R \leq \pm(2\%R+0.05\Omega)$	$10V_R, 5S$
温度快速变化 Rapid change of temperature	$\Delta R \leq \pm(1\%R+0.05\Omega)$	$-55^\circ\text{C}/275^\circ\text{C}, 30\text{min } 5\text{cycles}$
耐焊接热 Resistance to sold heat	$\Delta R \leq \pm(1\%R+0.05\Omega)$	$350 \pm 10^\circ\text{C}, 3.5 \pm 0.5S$
气候顺序 Climatic category	$\Delta R \leq \pm(5\%R+0.1\Omega)$	$125^\circ\text{C}, 16\text{h}/55^\circ\text{C}, \text{RH}93 \pm 3\%, 24\text{h}/-55^\circ\text{C}, 2\text{h}/8.5\text{kpa}, 15\sim 35^\circ\text{C}, 1\text{h}$
70°C耐久性 Endurance at 70°C	$\Delta R \leq \pm(5\%R+0.1\Omega)$	$70 \pm 2^\circ\text{C}, P_R, 1000\text{h}$

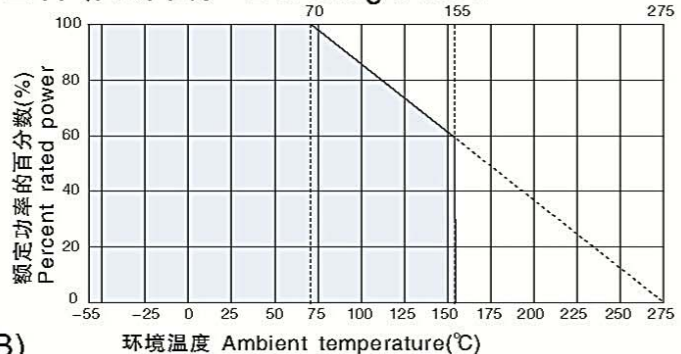
■ 外形尺寸 Dimensions(mm)

型号 Type	Lmax	Dmax	d±0.05	l±3
RXF21(A/B)-1W(1/2W)	10.5	3.9	0.7	25.0
RXF21(A/B)-2W(1W)	14.0	5.5	0.8	33.0
RXF21(A/B)-3W(2W)	17.0	6.5	0.8	32.0
RXF21(C)-1755	7.0	2.7	0.6	25
RXF21(C)-2070	9.5	3.5	0.7	25
RXF21(C)-2580	10.5	3.9	0.7	25
RXF21(C)-3011	14.0	5.0	0.8	33

■ 电流时间特性(RXF21C) Fusing time

额定电流 Reted Current	熔断时间 Fusing Time
100%	4hours Min
200%	60Secs Max

■ 降功耗曲线 Derating Curve



RXF21A/B/C(FRT) 线绕熔断电阻器

wire-wound fuse resistors



■ 技术说明 Technical Specifications

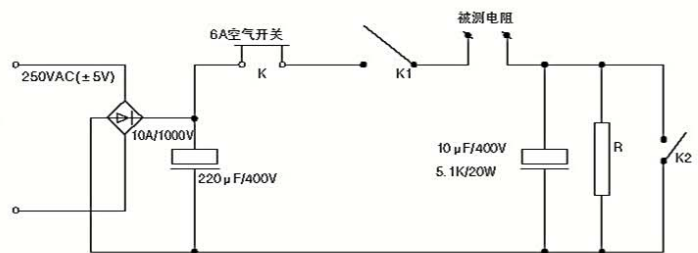
型号 Type	额定功率 Rated Power	阻值范围(Ω) Resistance Range	精度 Tolerances	额定功率环境温度 Rating Ambient Temp	使用温度范围 Operating Temp. Range
RXF21(A/B)-1W(1/2W)	1W(1/2W)	0.1Ω~120Ω	±5% ±10%	70℃	-55℃~155℃
RXF21(A/B)-2W(1W)	2W(1W)	0.1Ω~120Ω			
RXF21(A/B)-3W(2W)	3W(2W)	0.2Ω~470Ω			

型号 Type	额定电压 Rated Voltage	额定电流 Rated Current
RXF21(C)-1755	250V	0.5A~3.15A
RXF21(C)-2070	250V	0.5A~4A
RXF21(C)-2580	250V	0.5A~5A
RXF21(C)-3011	250V	0.5A~5A

■ 耐冲击性能 Shockproof Property

如图，闭合空气开关K，断开K2，将K1反复通断30次，电阻不开路。

As show in chart, close air switch K, cut K2, the resistance will remain after on/off 30 times.



■ 短路熔断特性 Short Circuit Fusing Characteristic(RXF21-A)

如图，闭合K、K1、K2，被测元件应立即熔断，6A空气开关K不应动作。

As show, close K, K1, K2, experimental part will fuse immediately, 6A air switch K will not disconnection.

■ 抗浪涌冲击特性 Surge Proof Characteristic(RXF21-B)

将试验电阻接入适用的充电器中，按照IEC61000-4-5测试标准要求对充电器施加1000V-3000V电压(按照充电器要求)，试验结束后，试验电阻应不开路。

The experimental resistor connect into the suitable battery charge, exert the 1000V~3000V voltage to the battery according to IEC 1000-4-5, after experiment, the resistance will not be open.

■ 订货示例 How To Order

例如 Example

RXF21	A	0.5W	100R	±5%	袋装 Bag
产品型号 Type	类型 Style	功率 Power	标称阻值 Nominal Value	精度 Tolerance	包装方式 Packaging
RXF21	A B C D	0.5W 1W 2W 3W	100R	±5% ±10%	袋装 Bag 编带 Tape

特殊阻值、尺寸和规格，如需要可以特别定做。
Custom produces available if required.