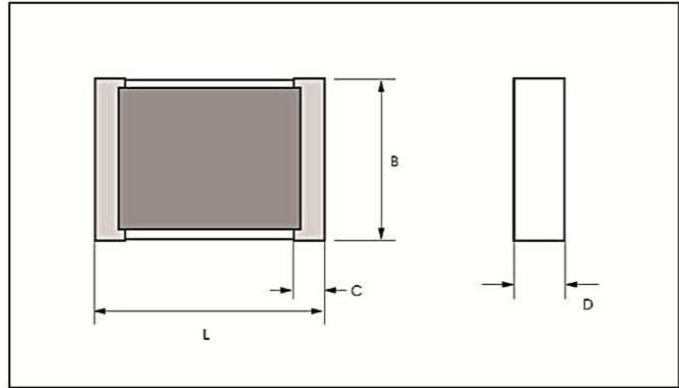


■ 构造图 Construction



■ 产品特点 Features

- 厚膜高阻片式电阻器
- 低温低压工作
- 端头PtAg电极以供粘接和焊接
- 未刻槽型供更高电压使用，可达到6000V
- High value chip resistors in thick film
- Low temperature and voltage dependency
- Contact areas PtAg for gluing and soldering
- Untrimmed for higher voltage application up to 6000V

■ 应用范围 Applications

- 分析仪器仪表
- 电脑及移动通信
- 军工电子设备等
- 医疗电子设备中(如: X光, 中子及高压供电设备等)
- Analysing instruments and meters
- Computers and telecom and wireless
- Military electronic equipments
- Medical electronic applications
For example: X-Ray machine Neutronic or high voltage devices, etc)

■ 执行标准 Reference Standards

Q/DRT003—2008

■ 外形尺寸 Dimensions(mm)

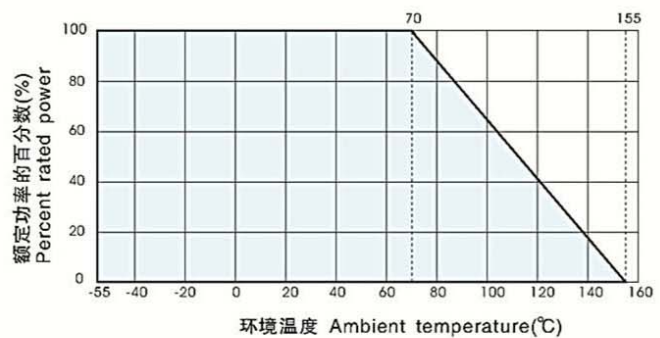
型号 Type	L	B	D	C
0402	1.04 ^{±0.05}	0.50 ^{±0.05}	0.30 ^{±0.05}	0.1 ^{+0.1/-0.05}
0603	1.50 ^{+0.15/-0.05}	0.80 ^{+0.15/-0.05}	0.40 ^{+0.15/-0.05}	0.2 ^{+0.2/-0.1}
0805	2.00 ^{+0.15/-0.05}	1.25 ^{+0.15/-0.05}	0.40 ^{+0.15/-0.05}	0.3 ^{+0.2/-0.1}
1206	3.20 ^{+0.15/-0.05}	1.50 ^{+0.2/-0.05}	0.40 ^{+0.15/-0.05}	0.3 ^{+0.2/-0.1}
1210	3.20 ^{+0.15/-0.05}	2.50 ^{+0.2/-0.05}	0.50 ^{+0.15/-0.05}	0.8 ^{±0.2}
2512	6.30 ^{+0.15/-0.05}	3.50 ^{+0.2/-0.05}	0.60 ^{+0.15/-0.05}	0.9 ^{±0.2}
4020	10.20 ^{+0.15/-0.05}	5.10 ^{+0.2/-0.05}	0.60 ^{+0.15/-0.05}	0.9 ^{±0.2}

L=长度, B=宽度, D=厚度, C=包围电极宽度(mm)

L=Length, B=Width, D=Thickness,

C=Width of wraparound (in mm)

■ 降功耗曲线 Derating Curve



■ 技术说明 Technical Specifications

型号 Type	额定功率 P_{70} (mW) Power rating P_{70} (mW)	工作电压(V) Working voltage(V)		阻值范围/精度/温度系数 ²⁾ /电压系数 Resistance ranges/Tolerances/TCR(ppm/°C) ²⁾ /VCR					
		刻槽 trimmed	未刻槽 untrimmed	10M~100M	100M~500M	500M~1G	1G~10G	10G~100G	100G~1T
0402	50	30	90	5/10/20% TC50/100 < 500ppm/V	5/10/20% TC100/250 < 1000ppm/V	5/10/20% TC250/500 < 1000ppm/V	10/20/30% TC1000/2000 < 2000ppm/V	/	/
0603	75	75	200	1/5/10/20% TC50/100 < 250ppm/V	2/5/10/20% TC100/250 < 500ppm/V	5/10/20% TC250/500 < 500ppm/V	5/10/20/30% TC500/1000 < 2000ppm/V	10/20/30% TC1000/2000 < 10000ppm/V	10/20/30% TC3000 < 5000ppm/V
0805	125	100	300	0.5/1/5/10/20% TC50/100 < 100ppm/V	2/5/10/20% TC100/250 < 250ppm/V	5/10/20% TC250/500 < 250ppm/V	5/10/20% TC500/1000 < 1000ppm/V	10/20/30% TC1000/2000 < 5000ppm/V	10/20/30% TC3000 < 10000ppm/V
1206	250	200	600	0.5/1/5/10/20% TC25/50/100 < 100ppm/V	2/5/10/20% TC50/100/250 < 100ppm/V	5/10/20% TC100/250 < 250ppm/V	5/10/20% TC500/1000 < 1000ppm/V	10/20/30% TC1000/2000 < 2000ppm/V	10/20/30% TC3000 < 5000ppm/V
1210	350	300	900	0.5/1/5/10/20% TC25/50/100 < 50ppm/V	2/5/10/20% TC50/100/250 < 100ppm/V	5/10/20% TC100/250 < 100ppm/V	5/10/20% TC250/500 < 500ppm/V	5/10/20% TC500/1000 < 1000ppm/V	5/10/20/30% TC1000/2000 < 2000ppm/V
2512	1000 ¹⁾	1000	2000	0.5/-/+20% TC25/50/100 < 10ppm/V	1/5/10/20% TC25/50/100 < 25ppm/V	1/5/10/20% TC100/250 < 25ppm/V	2/5/10/20% TC250/500 < 100ppm/V	5/10/20% TC500/1000 < 250ppm/V	5/10/20% TC500/1000 < 500ppm/V
4020	1500 ¹⁾	4000	6000	0.25/-/+10% TC25/50/100 < 5ppm/V	0.5/1/5/10/20% TC25/50/100 < 10ppm/V	1/5/10/20% TC25/50/100 < 10ppm/V	2/5/10/20% TC50/100 < 25ppm/V	5/10/20/30% TC100/250 < 100ppm/V	5/10/20/30% TC250/500 < 250ppm/V

¹⁾如果想获得持续的功率耗散，焊接区域的面积应能保证足够的热传导。

²⁾温度系数25/50：温度范围+25°C~+85°C

较低精度值、温度系数和电压系数可按要求和协议供货。

¹⁾At continuous power dissipation the dimensions of solder-pads have to secure sufficient heat-conduction.

²⁾TC25/50: Temperature range+25°C~+85°C

Lower values of tolerance, TCR and VCR on request and agreement.

■ 性能指标 Performance

温度范围 Temperature range	气候类别按IEC60068 Climatic category acc IEC 60068	可焊性按IEC60068-2-58 ³⁾ Solderability acc.IEC60068-2-58 ³⁾	耐焊接热按IEC60068-2-58 Max.Soldering temperature acc.IEC60068-2-58
-55°C~155°C	55/155/56	235°C 2s	260°C 10s
长期稳定性 Long term stability	高温贮存125°C/1000h Storage 125°C/1000h	最大电压/1000h Max voltage/1000h	
< 1G	< 1%	< 0.5%	
< 10G	< 2%	< 1%	
≥ 10G	< 5%	< 2%	

³⁾装运后至6个月要求贮存在氮气中
未列特性按CECC40401-802

³⁾Up to 6 months after shipment request, at storage in Nitrogen
Data not specified according to CECC40401-802

■ 订货示例 How To Order

例如 Example

CHS	0805	125mW	100KΩ	± 5%	± 100ppm	编带/袋装
产品型号 Type	类型 Style	功率 Power	标称阻值 Nominal Value	精度 Tolerance	温度系数 TCR	包装方式 Packaging
CHS	0402 0603 0805 1206 1210 2512 4020	50mW 75mW 125mW 250mW 350mW 1000mW 1500mW	100MΩ	± 0.25% ± 0.5% ± 1% ± 2% ± 5% ± 10% ± 20% ± 30%	± 25ppm ± 50ppm ± 100ppm ± 250ppm ± 500ppm ± 1000ppm ± 2000ppm ± 3000ppm	编带 tape 袋装 bag

如果对温度系数和包装方式无要求，将按标志温度系数提供（表中最大值），包装是散装；

If no requirements for TCR and taping, the standard TCR (highest value in table) will be supplied and packaging is bulk.