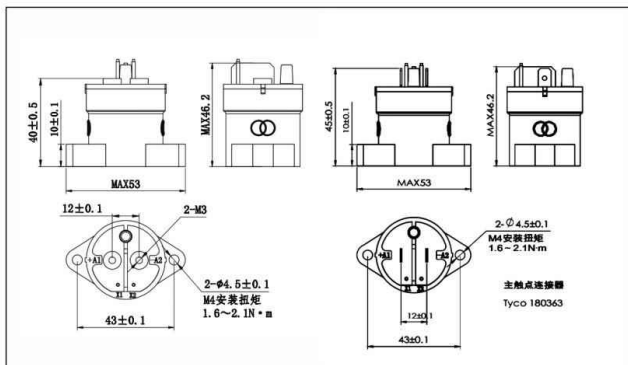


SEV30/SEVI30 高压直流接触器 HIGH VOLTAGE DC CONTACTOR



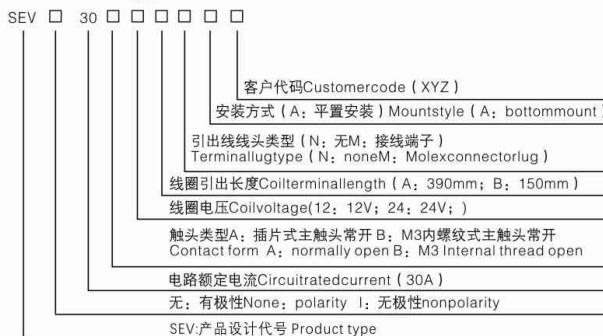
■ 外形及安装尺寸 Outline and Dimensions:



■ 产品特点 Product features:

- 1、全密封结构，安全性高。
Full seal construction, high safety
- 2、线圈电压：12 和 24 Vdc。
Coil voltage: 12、24 Vdc。
- 3、体积小，切换功率大。
Small size, high switching power
- 4、采用环氧灌封密封技术对产品内部进行全密封，保护线圈和触点系统长时间不氧化。
Full sealed inside by epoxy encapsulation technology to insure coil and contactor against being oxidized for long time
- 5、采用永磁体磁吹灭弧的技术，产品可靠性高。
use permanent magnet to eliminate electric arc, high reliability
- 6、执行标准：GB/T 14048.4-2010
Implementation criteria: GB/T 14048.4-2010
- 7、认证：CCC编号2019010304167727
Certification: CCC number 2019010304167727

■ 型号解释 Type introduction:



■ 应用范围Application:

新能源汽车的高压主回路、预充电回路、慢充电路、快充电路、高压辅助系统等；充电桩的高压主回路系统；风电，光伏等电力控制系统。

Mainly used in high voltage main circuit, pre-charge circuit, slow charging circuit, fast charging circuit, high voltage auxiliary system of electromobile, as well as high voltage main circuit system in charging pile, power control system of wind power, photovoltaic.

■ 线圈工作电压Coil operating voltage:

序号Item	工作电压Nominal Voltage	12VDC	24VDC
1	最大电压Voltage (Max.)	16VDC	28VDC
2	最大吸合电压Pickup (close) Voltage (Max.)	9VDC	18VDC
3	最小释放电压Dropout (open) Voltage (Min.)	1.0VDC	2.0VDC
4	线圈电流Coil Current	267mA	133mA
5	线圈功耗Coil Power (20℃)	3.5W	3.5W
6	线圈电阻Coil Resistance (20℃) ± 5% Ω	45	180

